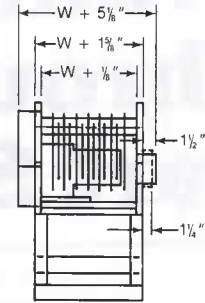
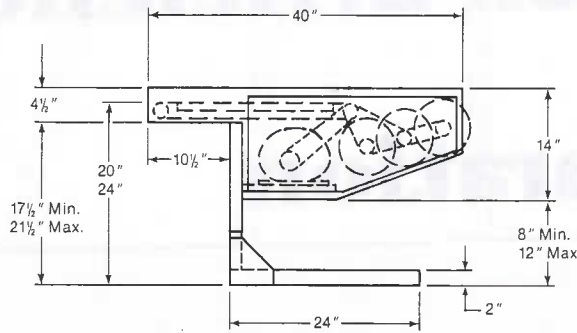




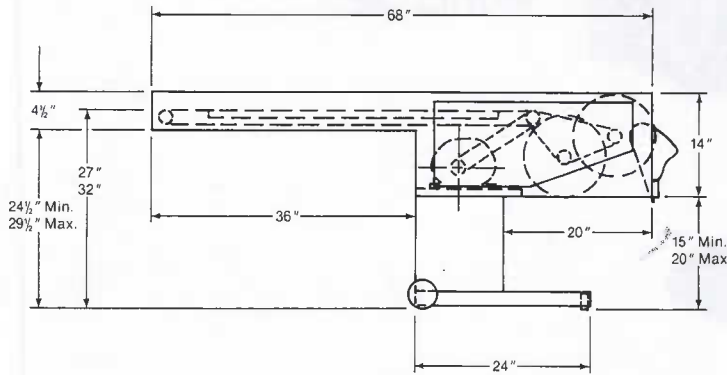
Nylamation MODEL 320



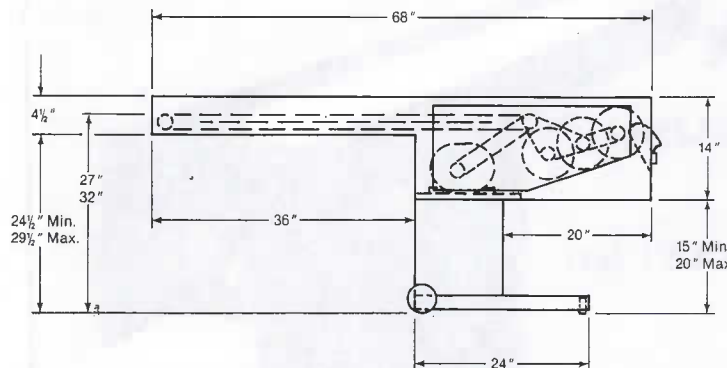
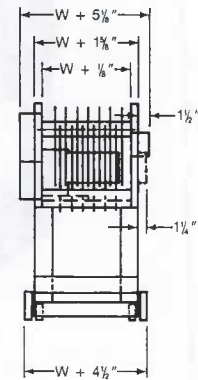
NOTE: W = Belt width
* Motor sticks out 1/4" on 8" models only.



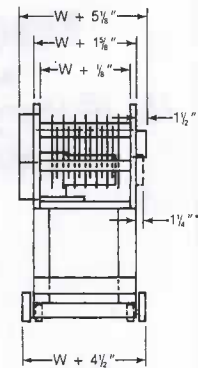
Nylamation MODEL 500



- 2 sets of 11" rotors
for larger parts



- 3 sets of 7" rotors
for small parts option



NOTE: W = Belt width
* Motor sticks out 1/4" on 8" models only.

SPECIFICATIONS

GENERAL

Motor	1/4 HP, 115V, 60HZ, 1 phase
Belt Speed	14.5 FPM
Belt Material	Low shrink, food grade PVC

OPTIONS

Belt Width	8", 12", 18", 24"
Infeed Extension	12"
Infeed Extension	24" (500 only)
Motor	DC/SCR variable speed
Material	stainless steel
Belt Material	available special order

Other Options Include

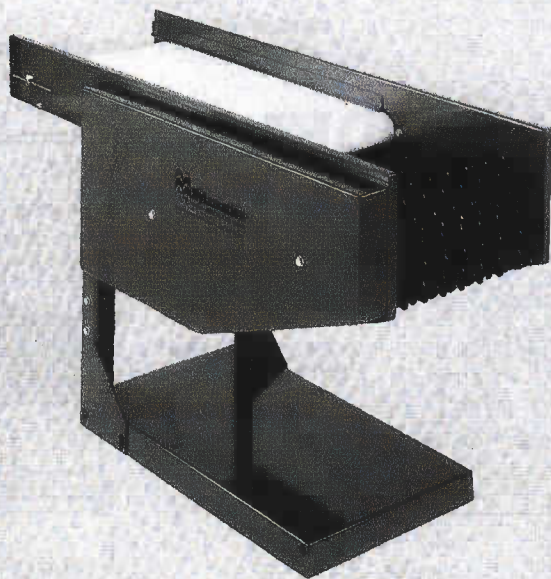
- auger feed shroud
- side wings & flappers
-



Automated Assemblies Corporation
25 School Street
Clinton, Massachusetts 01510
Tel.: (617) 368-8914 Telex: 710-347-1956 FAX: (617) 368-0986



Production Efficiency Through Part Separation



MODEL 320

mould-tek

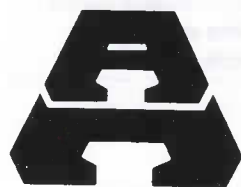
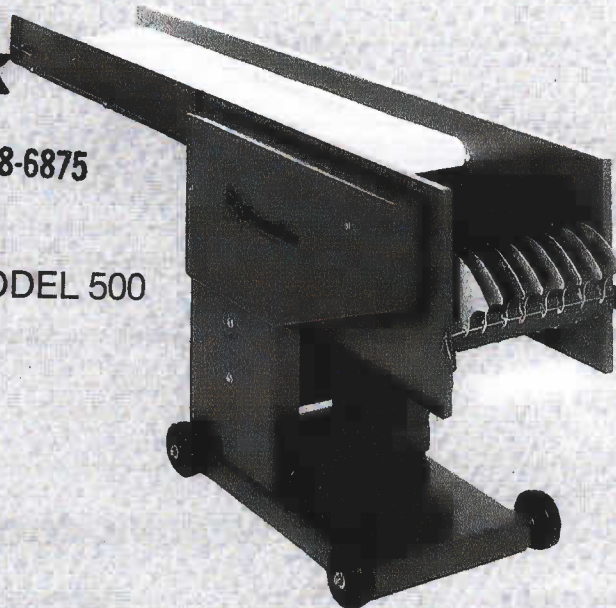
INDUSTRIES INC.

733 PROGRESS AVENUE (416) 438-6875

SCARBOROUGH, ONTARIO

M1H 2W7

MODEL 500



**Automated
Assemblies
Corporation**