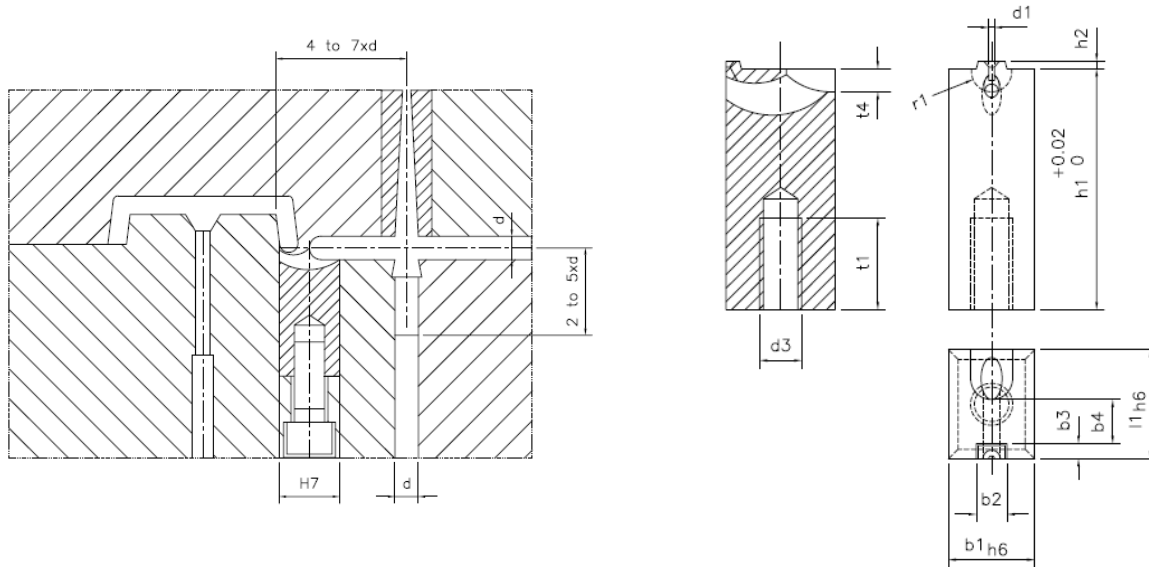


### Square Gate Inserts



Material: 718

Part No.	d1	l1	b1	h1	r1	t1	t4	b2	b3	b4	d3	h2
LRD 8 x17	0.4	8	6	17	1.5	8	2	2.6	1.3	3.7	M4	0.8
	0.6											
	0.8											
LRD 10 x 22	0.6	10	8	22	2	8	2	2.6	1.3	3.7	M4	0.8
	0.8											
	1.0											
LRD 12 x 10	0.6	12	10	27	2.25	10	2.25	3.0	1.5	4.5	M5	0.8
	0.8											
	1.0											
LRD 15 x 12	0.8	15	12	27	2.5	10	2.5	3.5	1.75	5	M6	0.8
	1.0											
	1.2											